

Ceramic Transducer Design Co.,Ltd

TEL: +886-3-3614555 FAX +886-3-3674408 E-mail: sale@ctdco.com.tw

Photo:



The specifications describe the ultrasonic transducer

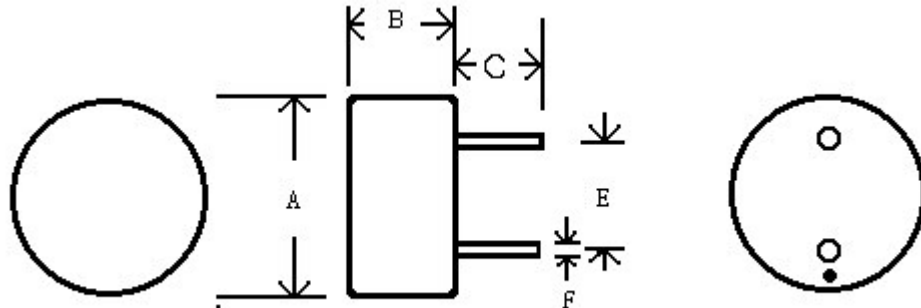
PARTS NUMBER	40CA-15E
Center frequency (KHz)	40.0±1.0
Sound pressure level (dB)	108(min)
Sensitivity (dB)	-74(min)
Angle of major lobe	88°
Directivity deg (-6dB)	50°
Ring time (ms)**	≤0.6
Max driving voltage (V)	140
Working temperature (°C)	-30~80
Case/ color	Aluminum/black

- Sound Pressure Level: 0 dB v.s. 0.0002μbar measured at 10Vrms, 30cm distance.
- Sensitivity: 0dB v.s. 1V/μbar.

**Ring time was test with input 120V, 40KHz,0.8msec square wave.

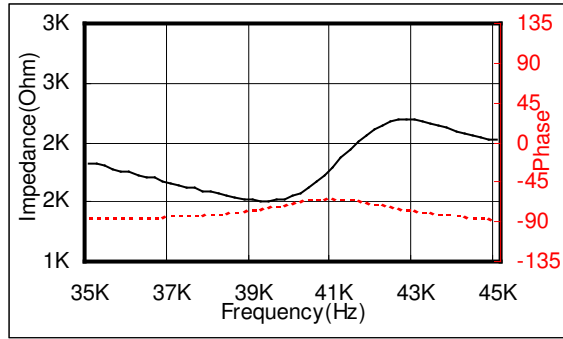
OUTLINE DIMENSION:

A=15.0±0.5
 B=6.5±0.5
 C=9.0±1.0
 E=0.9.0±1.0
 F=0.7±0.1
 Unit: mm

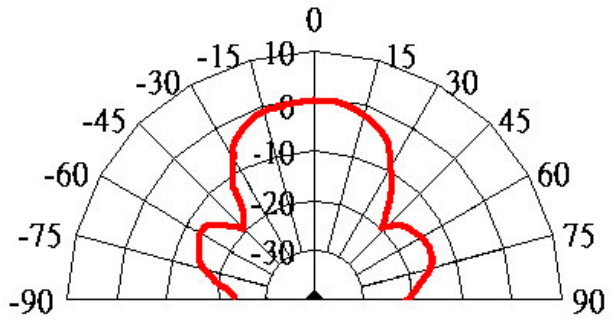


Black for ground (-)

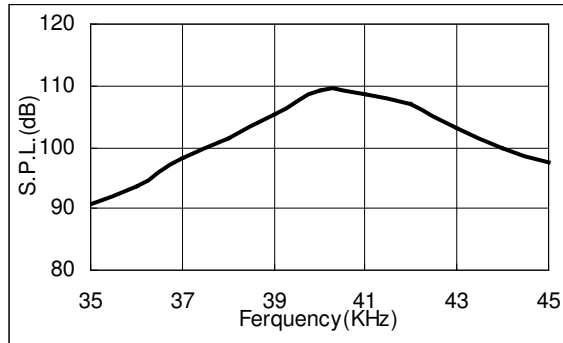
Impedance /Phase Angle VS Frequency



Directivity



Sound Pressure Level VS Frequency



Sensitivity VS Frequency

