

Ceramic Transducer Design Co.,Ltd

TEL: +886-3-3614555 FAX +886-3-3674408 E-mail: sale@ctdco.com.tw

Photo:



The specifications describe the ultrasonic transducer

PARTS NUNBER	40CA-18E
Center frequency (KHz)	40.0±1.0
Sound pressure level (dB)	113(min)
Sensitivity (dB)	-72(min)
Angle of major lobe	65°
Directivity deg (-6dB)	40°
Ring time (ms)**	≤ 1.0
Max driving voltage (V)	40
Working temperature (°C)	-30~80
Case/ color	Aluminum/black

- Sound Pressure Level: 0 dB v.s. 0.0002μbar measured at 10Vrms, 30cm distance.
- Sensitivity: 0dB v.s. 1V/μbar.

**Ring time was test with input 120V, 40KHz,0.8msec square wave.

OUTLINE DIMENSION:

A=18.0±0.5

B=12.0±0.5

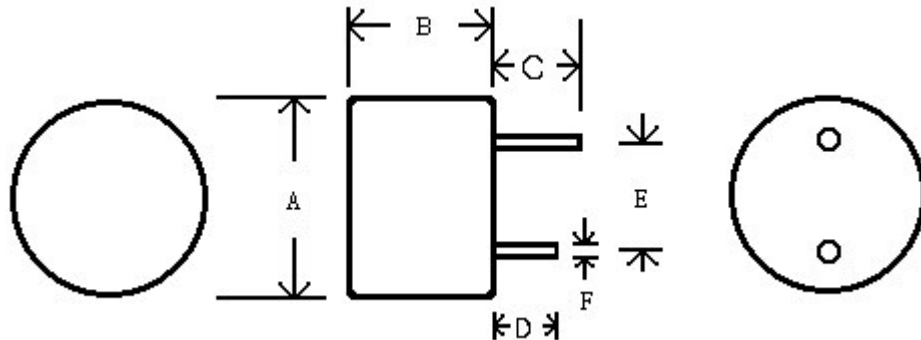
C=11.0±1.0

D=9.0±1.0

E=10.0±1.0

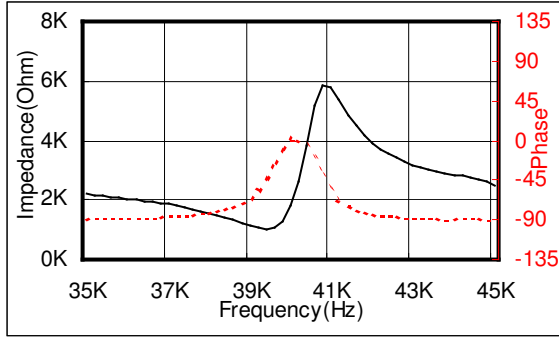
F=1.0±0.1

Unit: mm

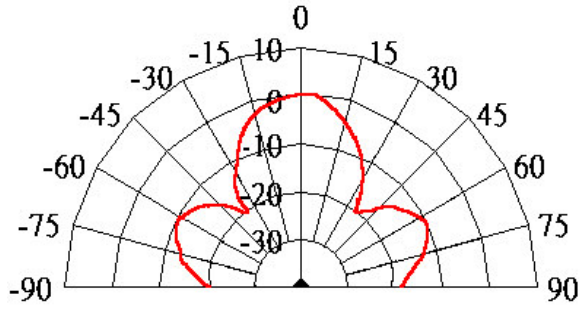


long pin for floating (+)

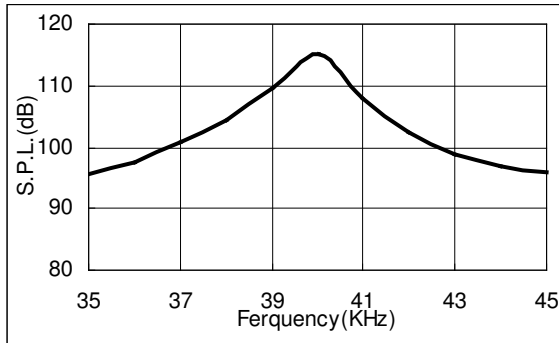
Impedance /Phase Angle VS Frequency



Directivity



Sound Pressure Level VS Frequency



Sensitivity VS Frequency

