

Ceramic Transducer Design Co.,Ltd

TEL: +886-3-3614555 FAX +886-3-3674408 E-mail: sale@ctdco.com.tw

Photo:



The specifications describe the ultrasonic transducer

| | |
|---------------------------|-----------|
| PARTS NUMBER | 40CA-25E |
| Center frequency (KHz) | 40.0±1.0 |
| Sound pressure level (dB) | 113(min) |
| Sensitivity (dB) | -72(min) |
| Angle of major lobe | 50° |
| Directivity deg (-6dB) | 30° |
| Ring time (ms)** | ≤ 1.1 |
| Max driving voltage (V) | 30 |
| Working Temperature(°C) | -30 to 80 |
| Case | Aluminum |

Sound Pressure Level: 0dB v.s. 0.0002μbar measured at 10Vrms, 30cm distance
Sensitivity: 0dB v.s. 1V/μbar

**Ring time was test with input 120V, 40KHz,0.8msec square wave.

OUTLINE DIMENSION:

A=25.0±0.5

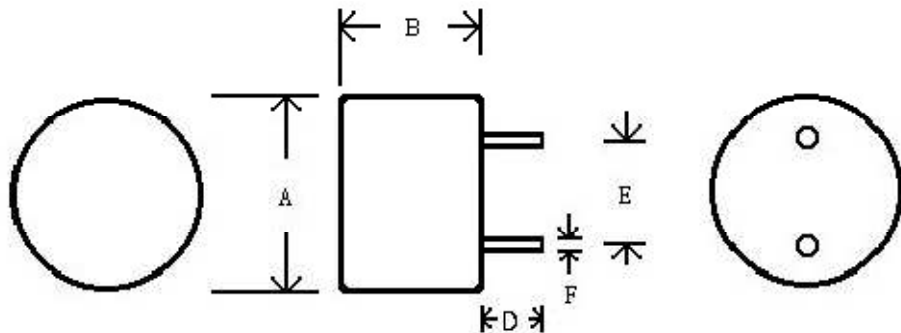
B=12.0±0.5

D=8.0±1.0

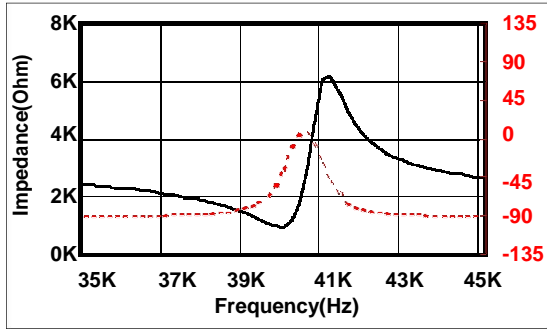
E=10.0±1.0

F=1.0±0.1

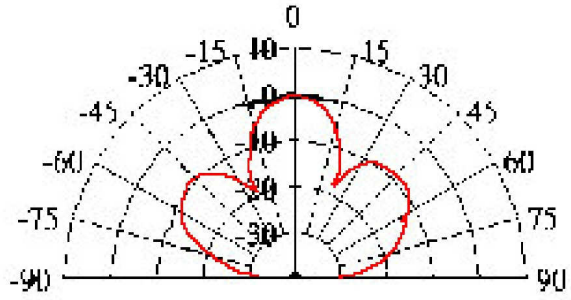
Unit: mm



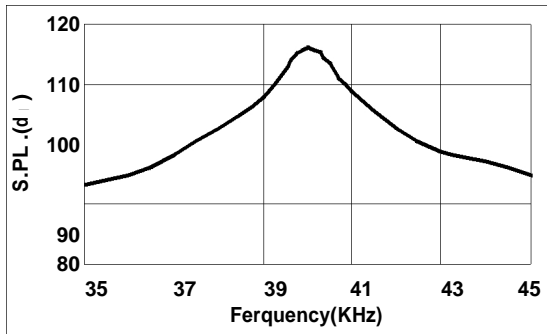
Impedance /Phase Angle VS Frequency



Directivity



Sound Pressure Level VS Frequency



Sensitivity VS Frequency

