

Ceramic Transducer Design Co.,Ltd

TEL: +886-3-3614555 FAX +886-3-3674408 E-mail: sale@ctdco.com.tw

Photo:



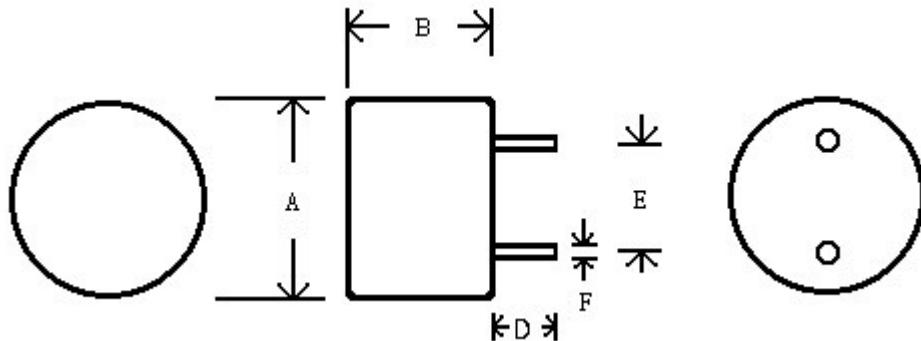
The specifications describe the ultrasonic transducer

PARTS NUMBER	40T-18E	40R-18E
Center frequency (KHz)	40.0±1.0	
Sound pressure level (dB)	115(min)	-----
Sensitivity (dB)	-----	-70(min)
Angle of major lobe	65°	
Directivity deg (-6dB)	40°	
Max driving voltage (V)	20	
Working temperature (°C)	-30~80	
Case/ color	Aluminum/black	

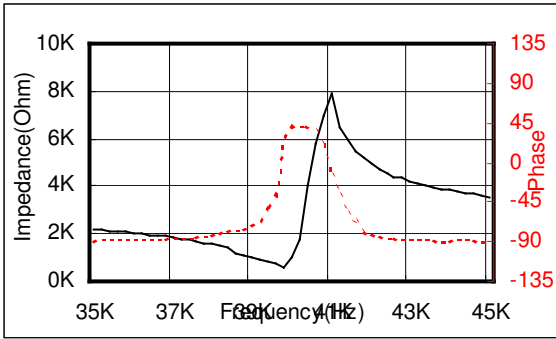
- Sound Pressure Level: 0 dB v.s. 0.0002μbar measured at 10Vrms, 30cm distance.
- Sensitivity: 0dB v.s. 1V/μbar.

OUTLINE DIMENSION:

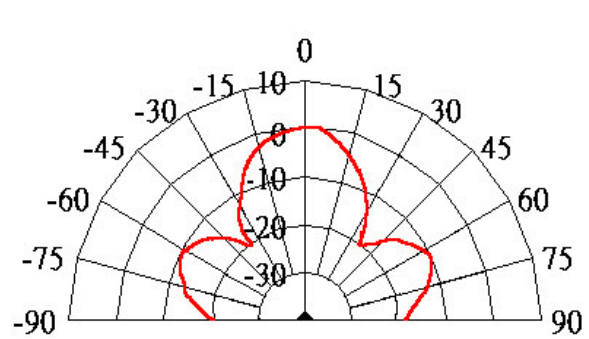
A=18.0±0.5
 B=12.0±0.5
 D=9.0±1.0
 E=10.0±1.0
 F=1.0±0.1
 Unit: mm



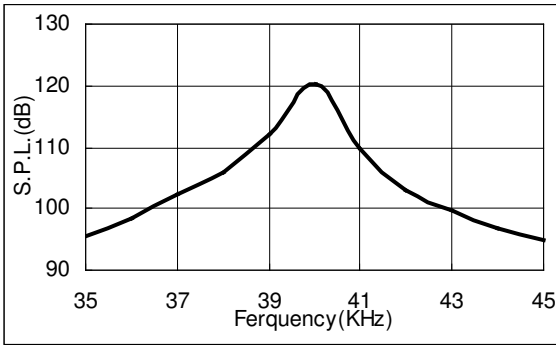
Impedance /Phase Angle VS Frequency



Directivity



Sound Pressure Level VS Frequency



Sensitivity VS Frequency

