

台灣聯能壓電科技股份有限公司
TAIWAN PIEZO-CERAM TECHNOLOGY CORP.

7F-4 NO.58 TA JEN ROAD
 TAO YUAN CITY 330
 TAIWAN

330 桃園市大仁路 58 號 7 樓之 4
 No.12612573

TEL:886-3-3756783
 FAX:886-3-3756782

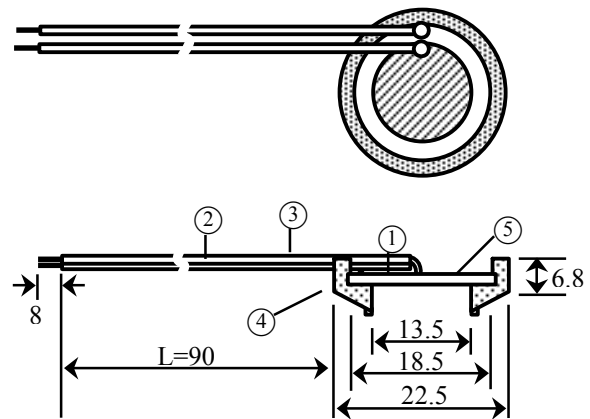
E-mail:TPCCO@pchome.com.tw

SPECIFICATION OF PIEZO-CERAMIC

TPC-H2012-1.65MR

1. PART NUMBER: TPC-H2012-1.65MR
2. DIMENSIONS:

⑤	1	STAINLESS STEEL PLATE SUS304
④	1	RUBBER PACKING
③	1	INSULATION TUBE
②	2	LEAD WIRES
①	1	PIEZO CERAMICS
No	QTY	DESCRIPTION



3. ELECTRICAL SPECIFICATION:

Resonant Frequency, f_r (Hz)	1.65M±50k
Dielectric Loss, $\tan\delta$ (%)	<0.5
Coupling Factor, k_p	>0.58
Free Capacitance, C(pF)	1200±20%
Piezoelectric Constant, d_{33} (pC/N)	320±10%
Application	Ultrasonic Fogger Discs

TPC-200106