

瓷能設計有限公司

Ceramic Transducer Design Co., Ltd

6F-4 NO.58 TA JEN ROAD

桃園市大仁路 58 號 6 樓之 4

TEL:886-3-3614555

TAO YUAN CITY 330

www.ctdco.com.tw

FAX:886-3-3674408

TAIWAN

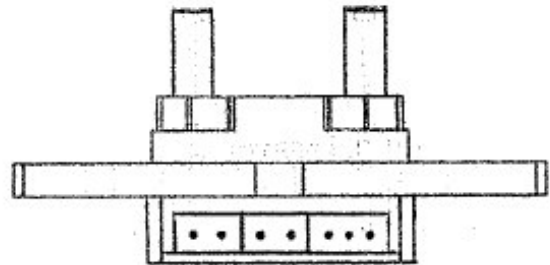
E-mail:sale@ctdco.com.tw

TPC-HM603817

一. Specification:

Part number	TPC-HM603817
Input voltage	D.C.24V±10%
Input current	0.9A
Input power	21.6W±10%
Misting volume	400±100 cc/hour
Driving frequency	1700±50KHz
Appropriate water level	25-45mm
Operating temperature	0~50°C
Water temperature	0~50°C
Turn off water level	18mm

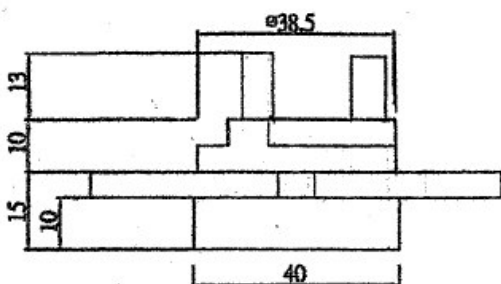
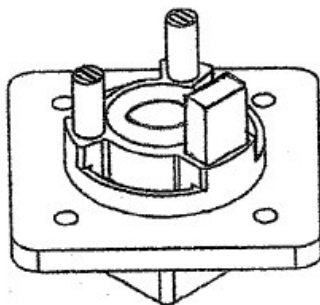
二. Connection



1 2 3 4

- 1. DC power +
- 2. Ground -
- 3, 4. Variable resistance 5KΩ

二. Dimensions:



尺寸單位:mm

